

**TECHNICAL  
SPECIFICATION**



**EVAPORATIVE COOLING PAD**

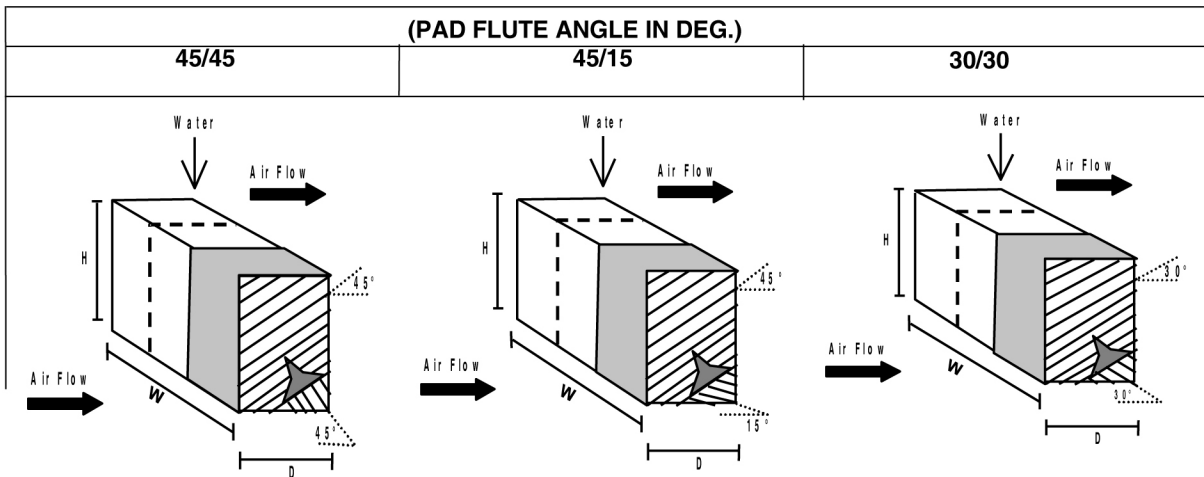


**EVAPORATIVE COOLING PAD MATERIAL : CROSS CORRUGATED CELLULOSE PAPER TREATED WITH ANTI ROT AND WETTING RESINS**

- \* MADE OF CELLULOSE PAPER, ENGINEERED FROM CROSS-SECTIONAL, SPECIALLY TREATED FLUTE MEDIA CAPABLE OF ABSORBING AND RETAINING WATER TO PROVIDE THE MAXIMUM COOLING EFFICIENCIES
- \* HIGHEST GRADE OF CRAFT PAPER IS USE IN ECO - COOL PAD FOR MAXIMUM LIFE OF PADS.
- \* CONSIDERABLE EFFECTIVE LIFE SPAN.
- \* UNIQUE STRUCTURE TO MINIMIZES BUILDUP OF DUST & OTHER DIRT.
- \* RIGID STRUCTURE - THE SPECIALLY ENGINEERED FLUTED STRUCTURE OF ECO-COOL PREVENTS SAGGING AND RESISTS CLOGGING
- \* EFFECTIVE COOLING - LOWERS TEMPERATURE AT MINIMUM ENERGY COST.
- \* HIGHLY ENERGY EFFICIENT ECO-COOL PADS
- \* PREVENT MINERAL BUILD UP.
- \* REDUCE BACTERIAL GROWTH
- \* IT FILTERS THE ENTERING AIR.
- \* FOR LONGER LIFE - ECO-COOL SUBSTRATE IS IMPREGNATED WITH ANTI-ROT CHEMICALS.
- \* EASY IN INSTALLATION/RETROFITS EASILY
- \* CROSS - CORRUGATED TO MAXIMIZE THE MIXING OF AIR AND ELIMINATE WATER CARRYOVER.
- \* SATURATION EFFECTIVENESS RANGING FROM 70 TO 98% CAN BE ACHIEVED DEPENDING UPON AIR VELOCITY AND SELECTION OF PAD
- \* TREATED WITH STIFFENING AND WETTING AGENT TO PROVIDE EFFICIENT COOLING.
- \* 0% AGE MAINTENANCE
- \* NO SIDE EFFECT TO HUMAN BEING

**STANDARD SIZE AVAILABLE**

DEPTH (D)	2"	4"	6"	8"	10"	12"	
WIDTH (W)	12"	24"					
HEIGHT (H)	12"	24"	36"	48"	60"	72"	78" (2mtr PAD)
FLUTE ANGLE :-	30/30, 45/45 & 45/15 DEG.						
FLUTE HEIGHT :-	5mm & 7mm						



ALL DATA SUBJECT TO CHANGE WITHOUT NOTICE

Date : April 15<sup>th</sup>, 2020