



DESICCANT ROTORS INTERNATIONAL Pvt. Ltd.
 100-101, Udyog Vihar, Phase-IV, Gurgaon 122015
 Phone : 91-124-4188888 FAX: 91-124-4188800
 E-MAIL: drigurgaon@pahwa.com

TECHNICAL SPECIFICATION

Bulletin	: AIE-AEC-00-04
Effective	: Oct. 04, 2005
Supercedes	: AIE-AEC-00-03
dated	: Dec. 10, 2002



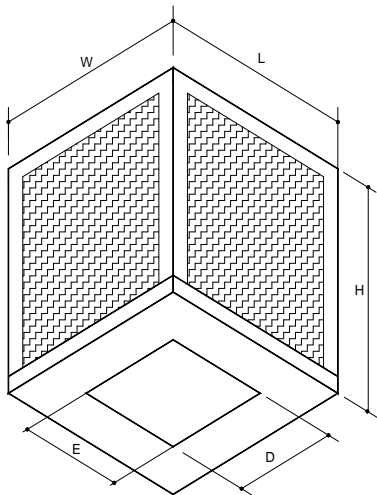
ARCTIC EVAPORATIVE COOLERS

SERIES (AEC 40 - 250)

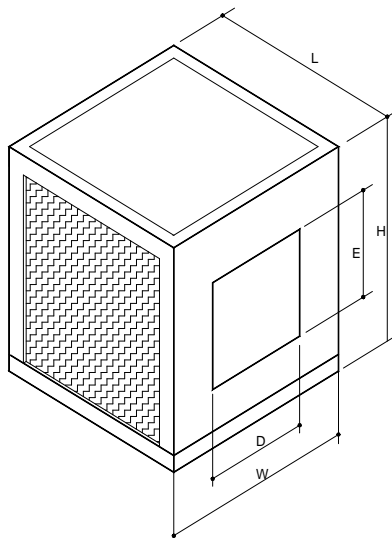
ARCTIC EVAPORATIVE COOLERS (AEC 40-250) COMES WITH **ECC-COOL™** EVAPORATIVE COOLING PAD
 ALL AEC SERIES UNIT HAVE THE FOLLOWING OUTSTANDING FEATURES

High efficiency and reliability

- * High efficiency (80%+) long life 100mm **ECC-COOL™** pads.
- * CNC fabricated High quality galvanized steel casing
- * Rubber lining in water tank.
- * Choice of Top, Bottom and Side discharge
- * Quick and easy removal of cooling pad.
- * DIDW Centrifugal Blower
- * Designed for low RPM for lower noise levels & trouble free operation
- * High volume low head Pump
- * Provided with pressure relief valve, Quick fill, over flow and auto cut arrangement for make up water.



BOTTOM DISCHARGE



SIDE DISCHARGE

TECHNICAL DATA

MODEL	AIR FLOW CAPACITY @ 150 Pa (ESP)		MOTOR		OVER ALL DIMENSION					OPERATING WEIGHT
	CMH	CFM	KW	HP	L	W	H	E	D	
AEC-40	6800	4000	1.1	1.5	1050	1050	950	404	404	125
AEC-75	12700	7500	2.2	3	1208	1208	1340	569	569	160
AEC-100	17000	10000	3.7	5	1208	1375	1450	638	638	225
AEC-150	25500	15000	3.7	5	1550	1550	1500	801	801	300
AEC-250	42500	25000	5.5	7.5	1750	1950	1750	1007	1007	380

ALL DATA SUBJECT TO CHANGE WITHOUT NOTICE

